

NANOSPIN

HIGH BEARING
STIFFNESS

NANOMETRIC
ERROR
MOTION



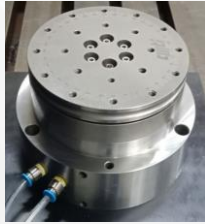
Available for
Technology
Transfer

Ultra Precision Air Bearing Rotary Stage

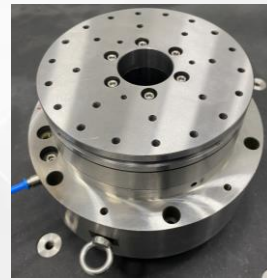
A product of  Central Manufacturing
Technology Institute



NANOSPIN



ABR 100
Top Table (D)- 120mm

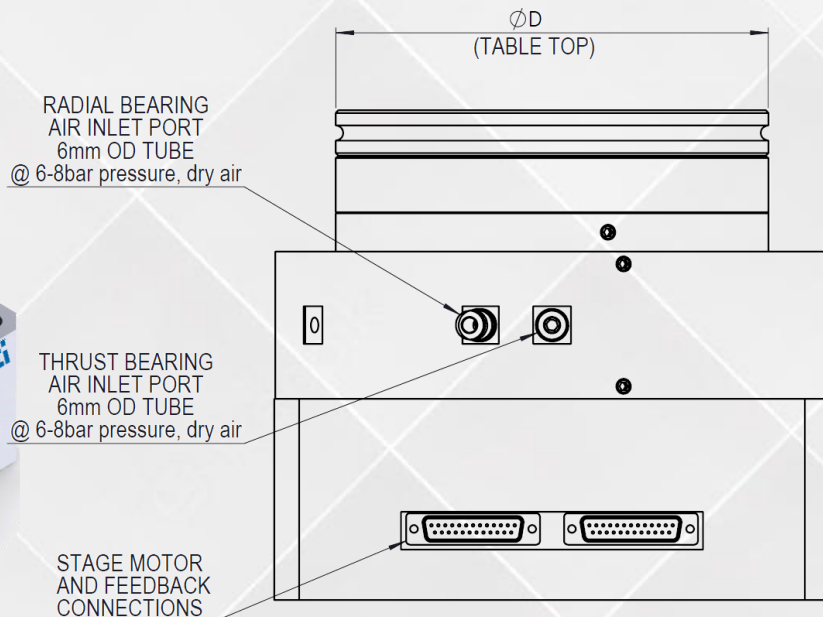
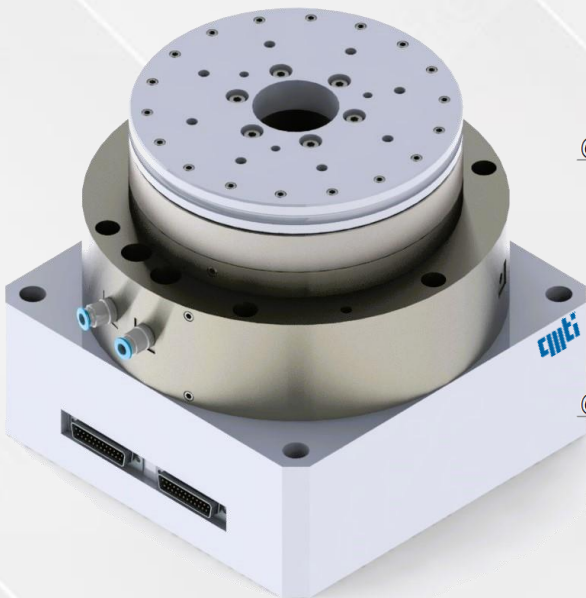


ABR 150
Top Table (D) - 170mm

Parameter

Stiffness	Radial – 60 N/μm Axial – 120 N/μm	Radial – 140 N/μm Axial – 180 N/μm
Load capacity	Axial (Ultimate) - 600N	Axial (Ultimate) - 1000N
Bearing Type	Aerostatic radial and thrust bearing	
Motion Error	≤ 400nm (0.4μm)	
Rotary Speed	Upto 500 RPM	
Configuration	Capable of both Horizontal & Vertical	
Applications	Air bearing rotary table for CMM as 4 th Axis Roundness & Form testers for the measurement of roundness and form error. Optical alignment, inspection and calibration systems. Special Purpose Rotary Inspection Systems.	

**We can Customize for Varied Sizes, Speeds & Configure for Motorized drive and feedback as shown below.*



**Centre for Smart Manufacturing
Precision Machine Tools & Aggregates**

केन्द्रीय विनिर्माणकारी प्रौद्योगिकी संस्थान

prakashv@cmti.res.in | +91-80-22188243 | +91 9449842680

CENTRAL MANUFACTURING
TECHNOLOGY INSTITUTE

www.cmti.res.in

Tumkur Road, Bengaluru - 560022

