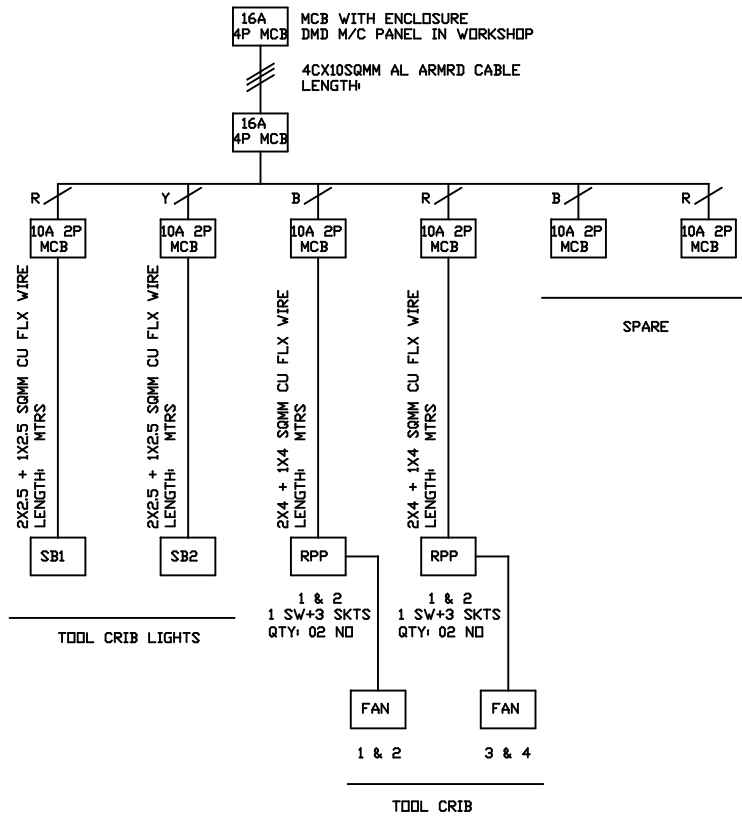
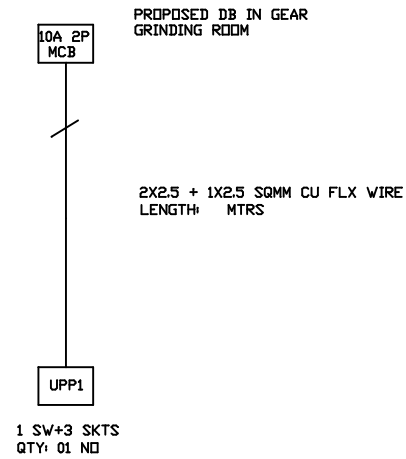


ELECTRICAL WORKS IN TOOL CRIB

RAW POWER DISTRIBUTION



UPS POWER DISTRIBUTION



TELEPHONE POINT

